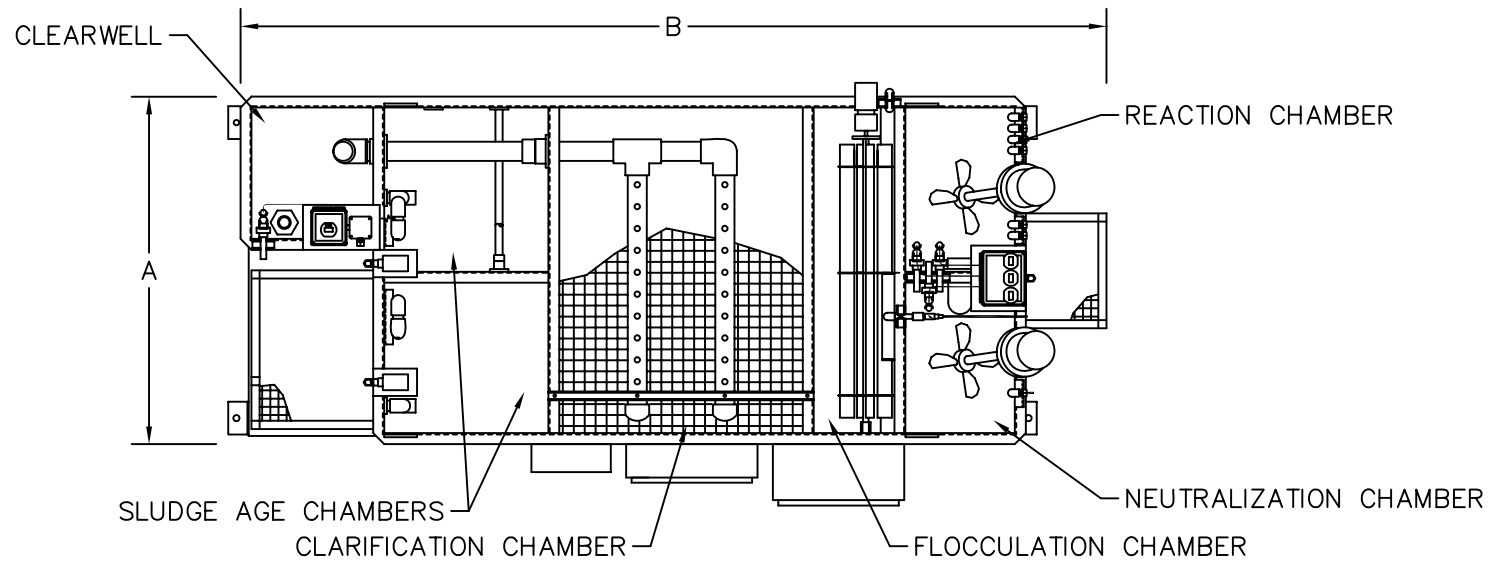


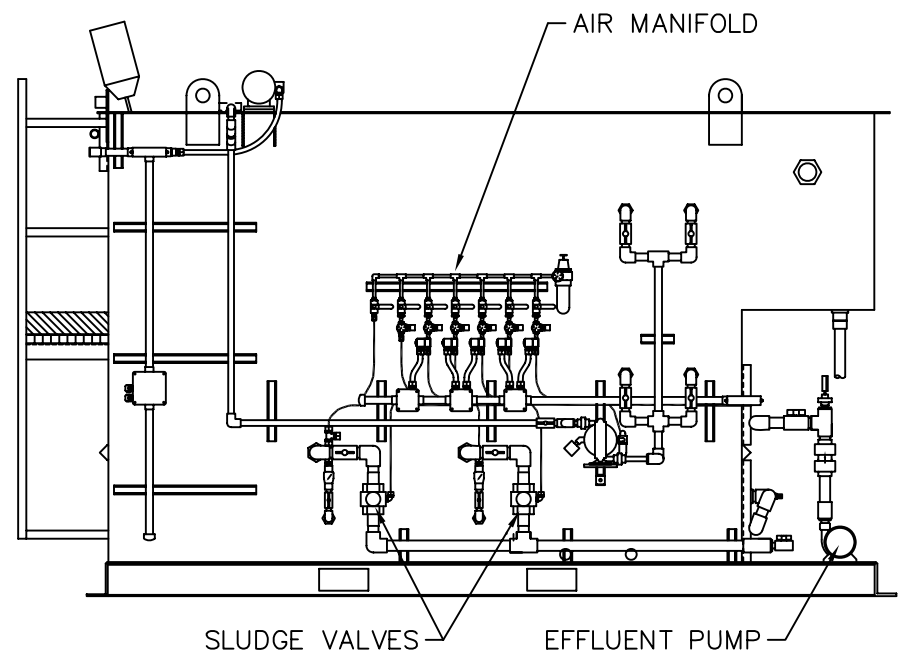
MODEL #	FLOWRATE (GPM)	WIDTH (DIM A)	LENGTH (DIM B)	HEIGHT (DIM C)	MATERIAL
HMR-15-2	15	5'-6"	12'-0"	10'-0"	CARBON STEEL
HMR-30-2	30	5'-6"	16'-0"	10'-0"	CARBON STEEL
HMR-50-2	50	8'-6"	17'-0"	10'-0"	CARBON STEEL
HMR-75-2	75	8'-6"	23'-0"	11'-0"	CARBON STEEL
HMR-100-2	100	8'-6"	25'-0"	11'-0"	CARBON STEEL

- STANDARD ELECTRICAL POWER IS 208 VAC 3 ϕ .
- CONTACT FACTORY FOR LARGER SYSTEMS.
- DIMENSIONS SUBJECT TO CHANGE

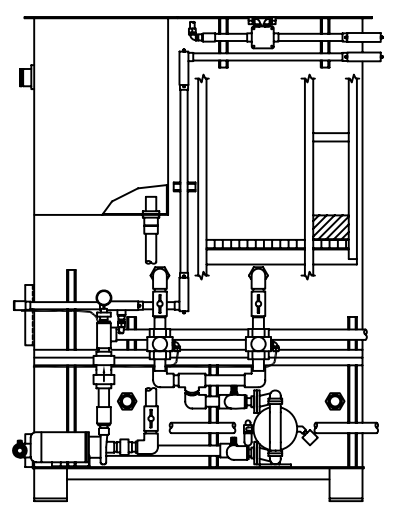
REV	DESCRIPTION OF CHANGE	DATE	DRAWN/APPROVED
A	INITIAL RELEASE	4/8/2005	DP



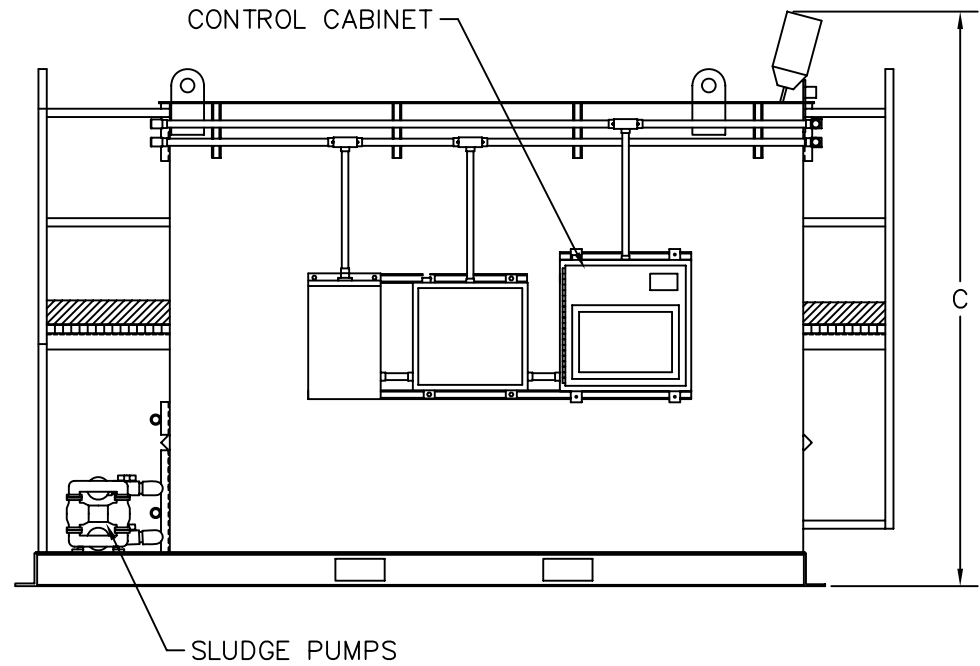
PLAN VIEW



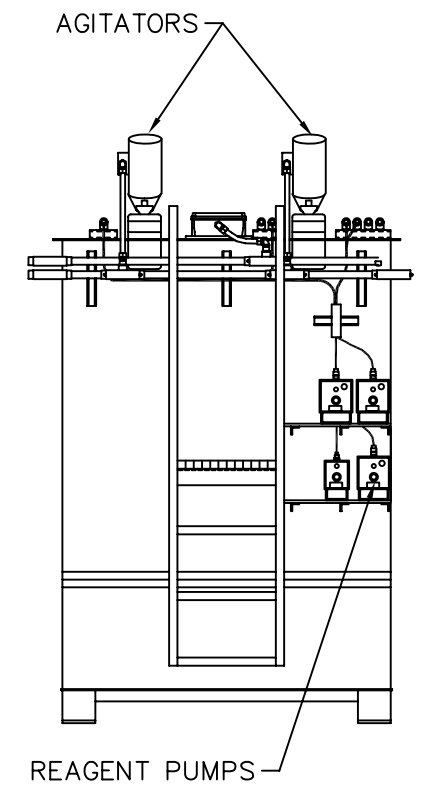
REAR ELEVATION



LEFT ELEVATION



FRONT ELEVATION



RIGHT ELEVATION

HMR - PRECIPITATION SYSTEM

www.TSI-LLC.us

TSI TOTAL SYSTEMS INTERNATIONAL, LLC
 1256 Bretmoor Way
 San Jose, CA 95129
 USA
 Phone: 1-408-996-0447
 Facsimile: 1-408-996-9480

CUT SHEET			
HMR PRECIPITATION SYSTEM			
PROPRIETARY INFORMATION: This document may not be used or copied without prior written permission of TSI			
FILENAME: HMR-2CUT	DATE: 4/8/2005	DRAWN BY: DP	CHECKED BY:
DRAWING NUMBER: HMR-2CUT	SCALE: NONE	SIZE: D	SHEET 1 OF 1